

Current roses based on depth averaged current speed and direction for metocean survey period: 16-02-2012 to 16-05-2012

REV.	DESCRIPTION	APP. DATE



PROJECT TITLE  
SWANSEA BAY TIDAL LAGOON

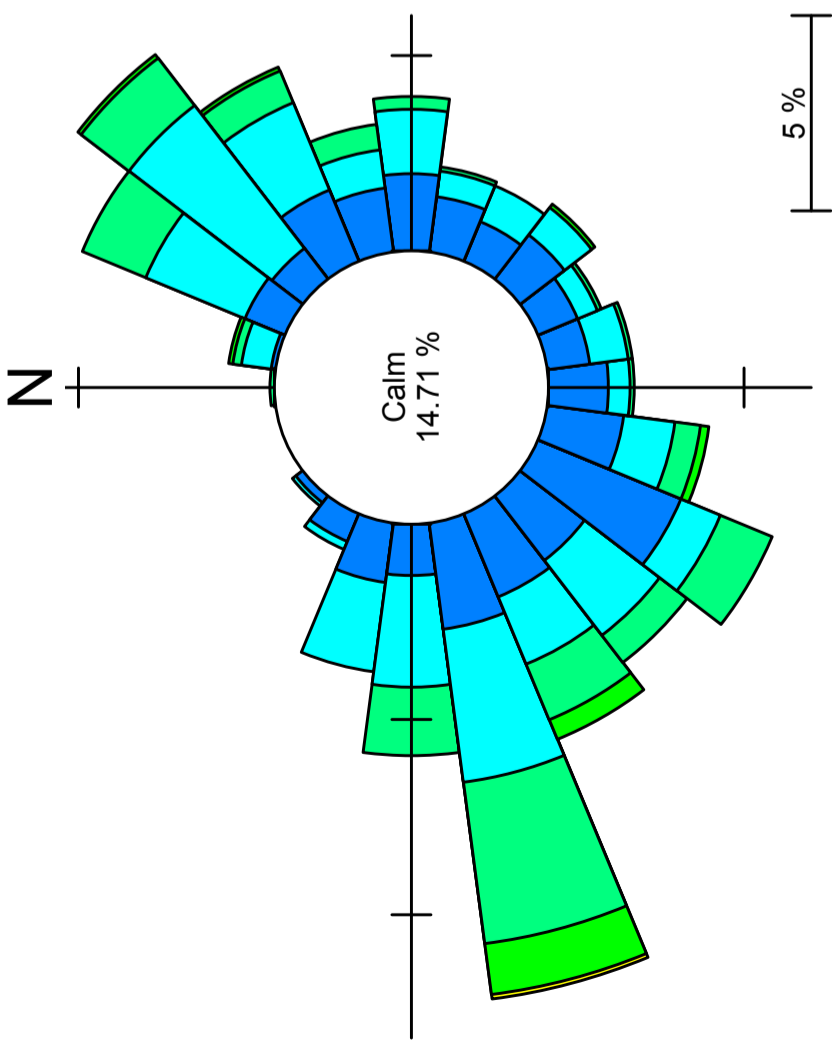
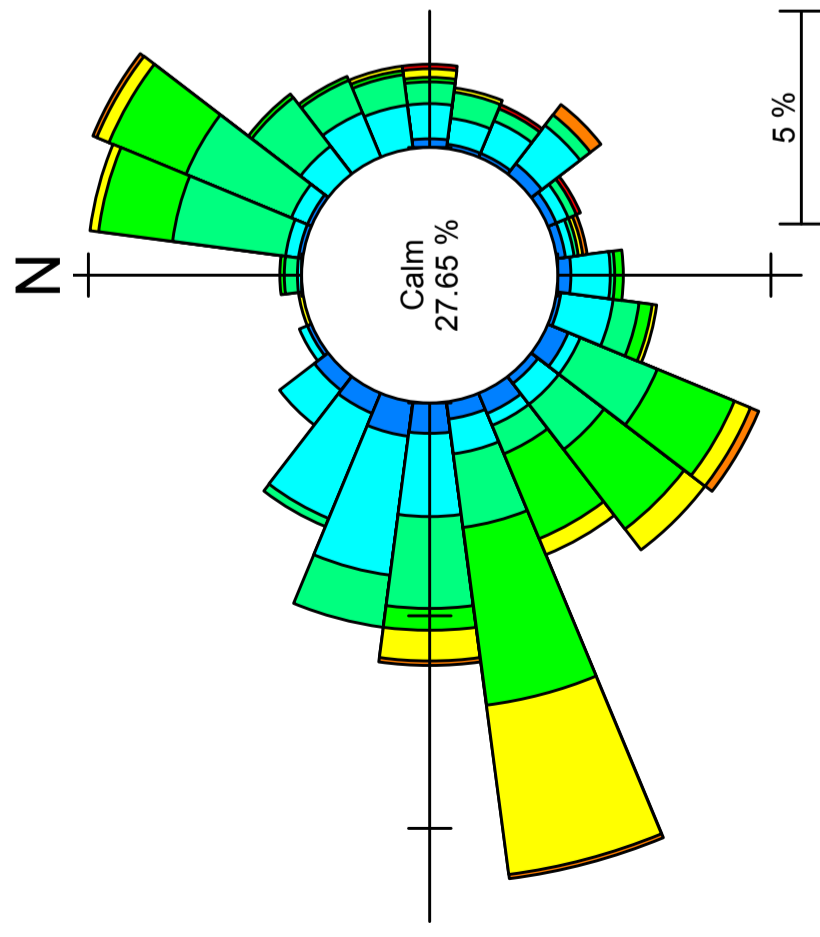
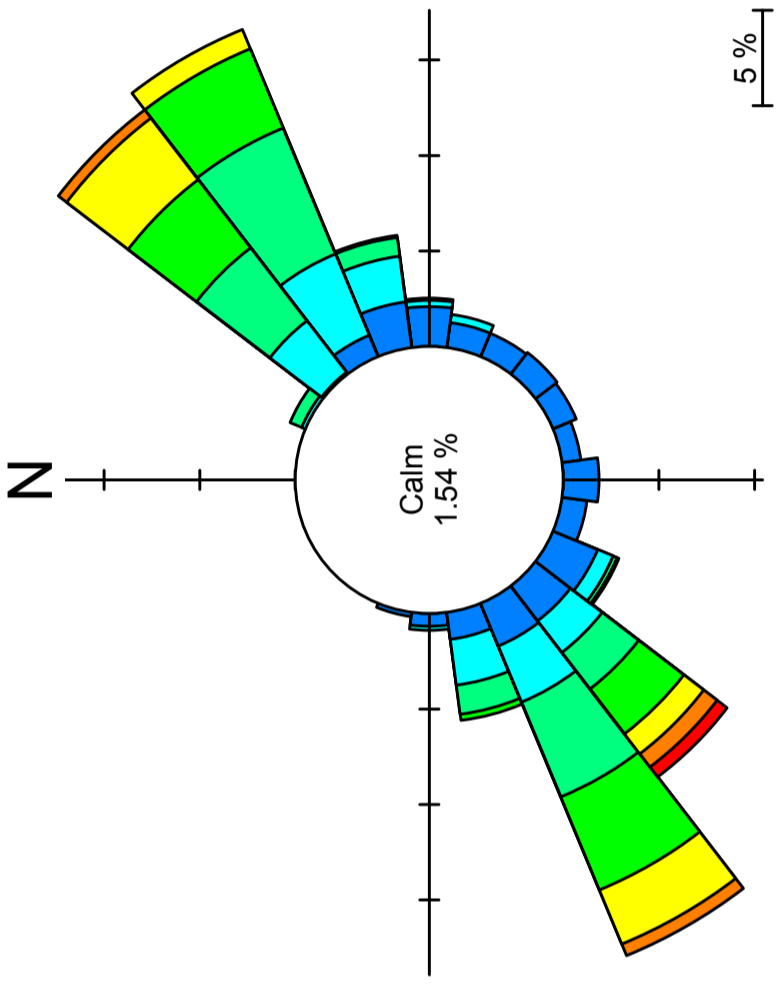
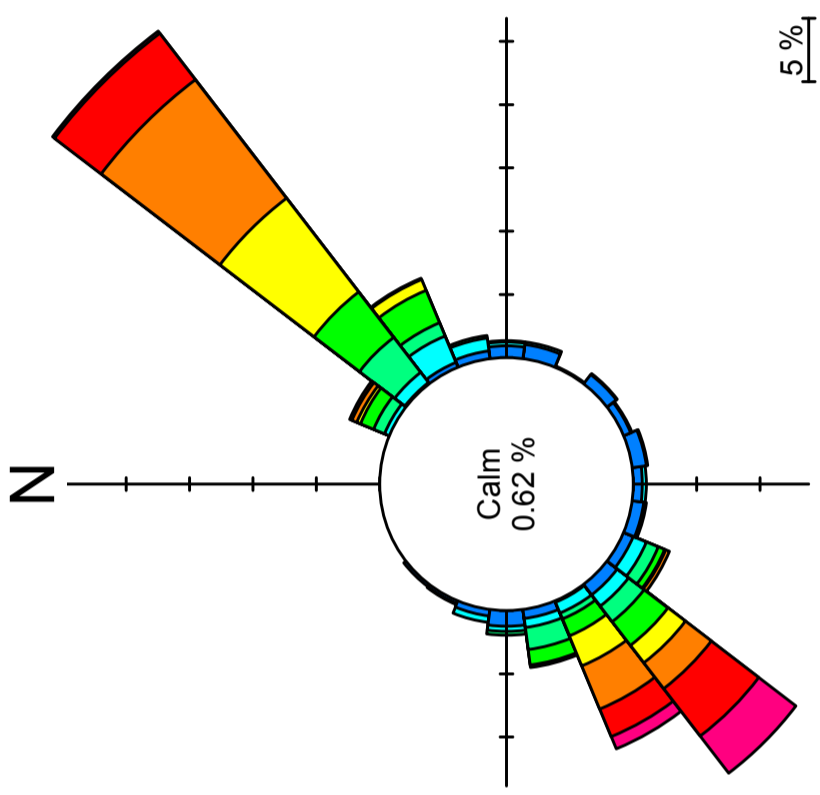
DRAWING TITLE  
**FIGURE 6.5**  
CURRENT ROSES FROM METOCEAN SITES FOR SPRING AND NEAP TIDES

ISSUED BY	ABPmer	T: 01865 887050
DATE	01 Jan 2013	DRAWN MCE
SCALE@A3	Not to scale	CHECKED AMF
STATUS	Final	APPROVED WSC

**DWG. NO 4124\_001\_6.5**

No dimensions are to be scaled from this drawing. All dimensions are to be checked on site. Area measurements for indicative purposes only.

© LDA Design Consulting LLP. Quality Assured to BS EN ISO 9001 : 2000  
Sources Ordnance Survey



Not to scale