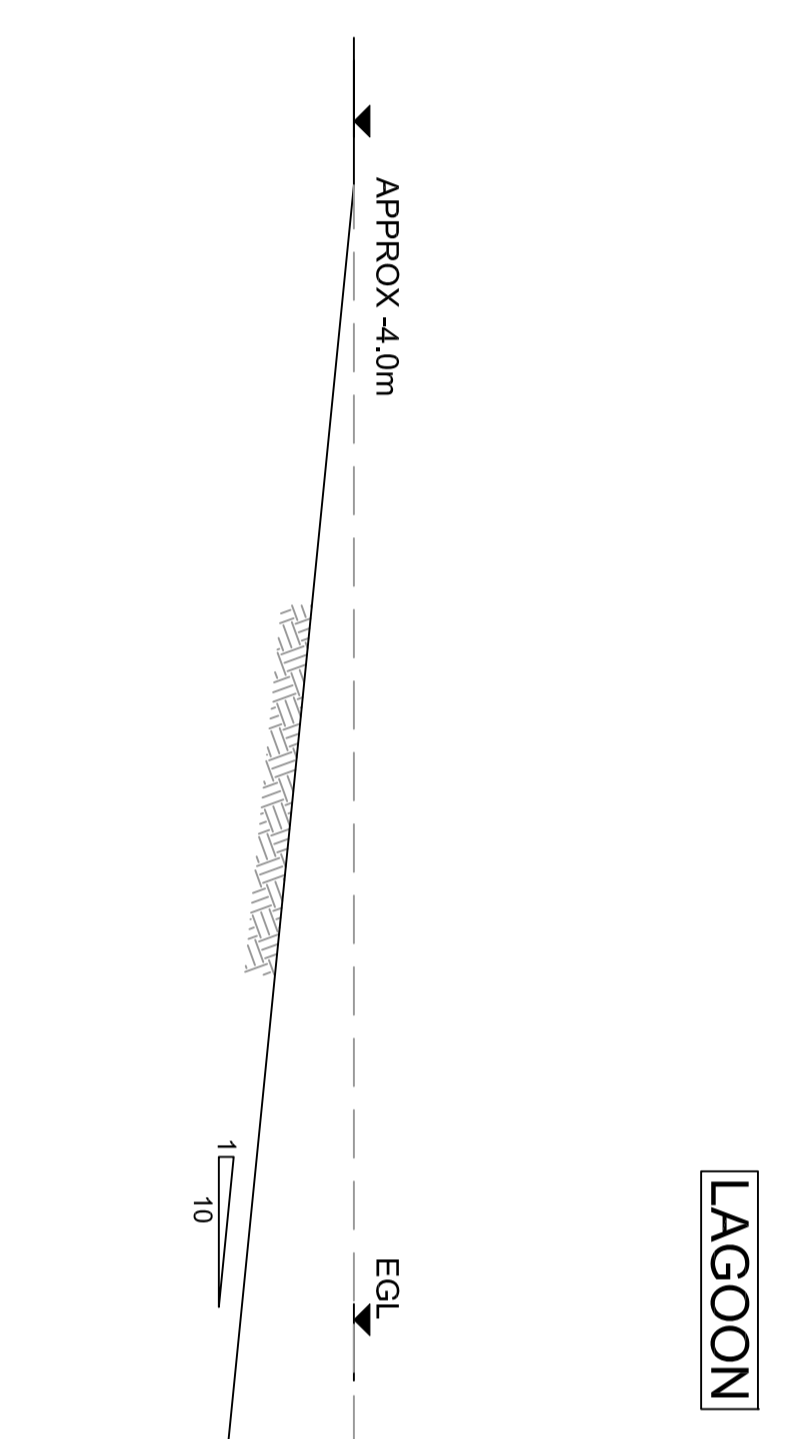
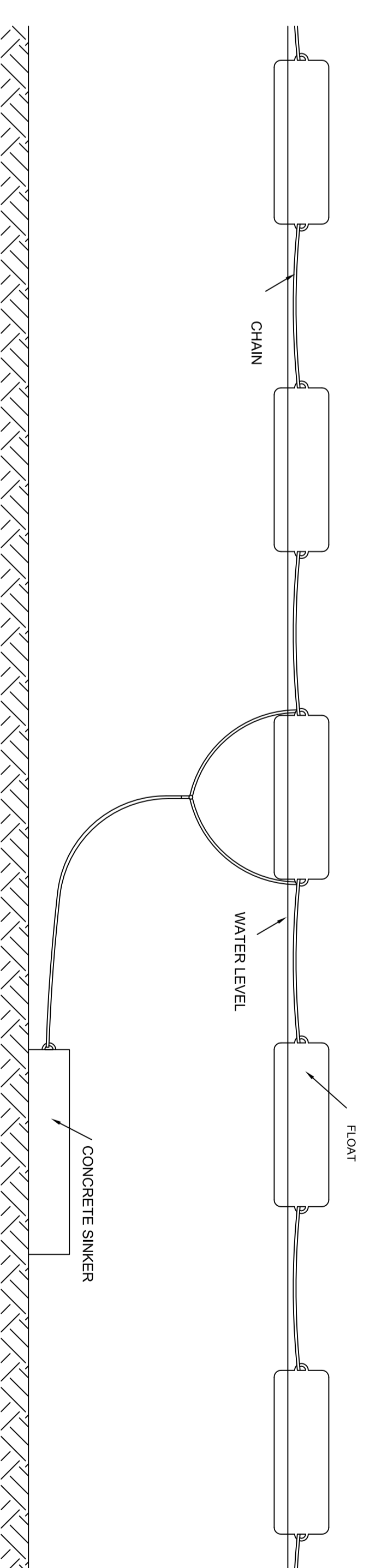


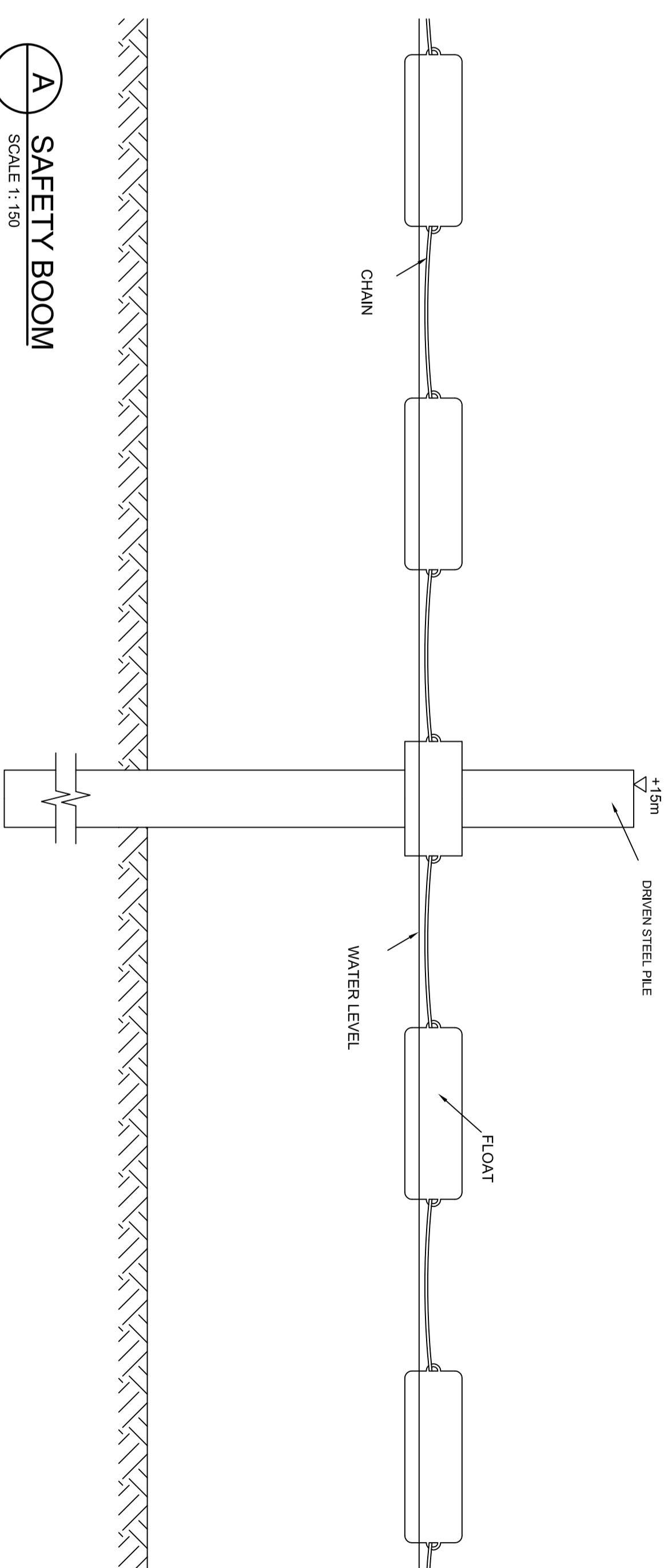
PLAN
 SCALE 1:3000



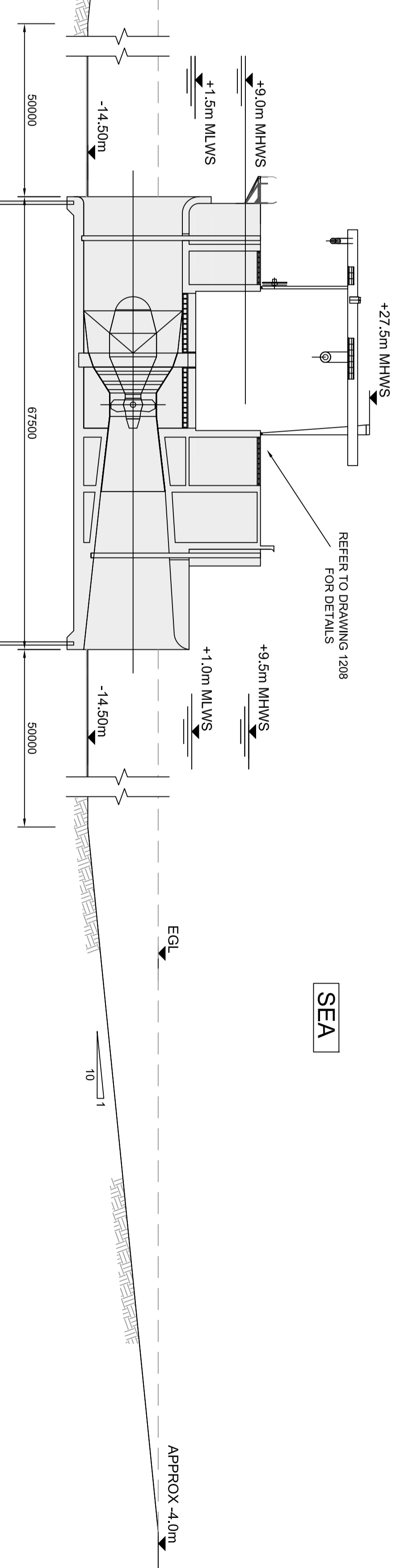
15 SECTION
 SCALE 1:500
 TURBINE HOUSE - DOREONG



A SAFETY ROOM
 SCALE 1:150
 OPTION 1: FLOATS AND ANCHORS



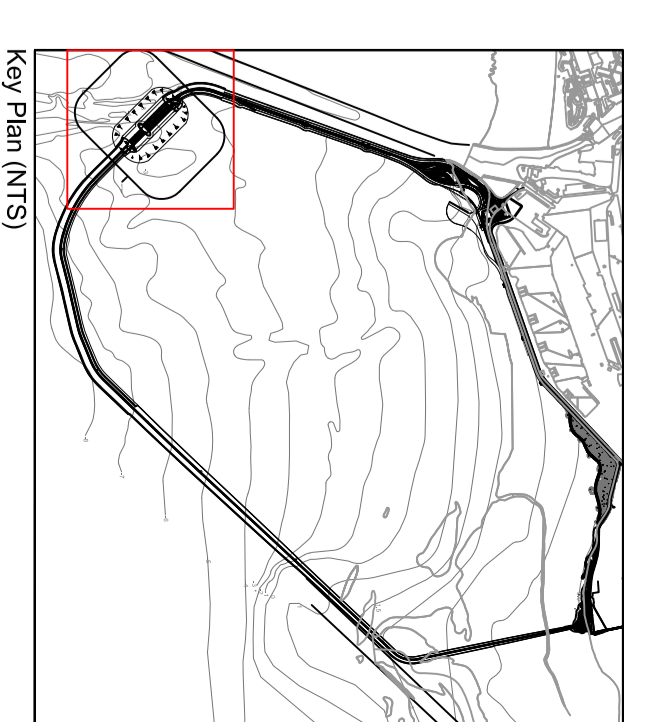
A SAFETY ROOM
 SCALE 1:150
 OPTION 2: FLOATS AND STEEL PILES



15 SECTION
 SCALE 1:500
 TURBINE HOUSE - DOREONG

Chart Datum (m)	Offset (m)	Offset (m)
10.8	5.0	High/Low Astronomical Tide (L/AT)
9.8	4.0	Mean High Water Springs (MWS)
N/A	N/A	Mean Sea Level (MSL)
1.5	-3.5	Mean Low Water Springs (MLWS)
0.5	-4.5	Lowest Astronomical Tide (LAT)

Chart Datum (m)	Offset (m)	Offset (m)
10.5	5.5	High/Low Astronomical Tide (L/AT)
9.5	4.5	Mean High Water Springs (MWS)
0.2	0.2	Mean Sea Level (MSL)
1.9	-4.0	Mean Low Water Springs (MLWS)
0.0	-5.0	Lowest Astronomical Tide (LAT)



ATKINS
 WOODSIDE DRIVE
 EPPING NSW
 15118 5111
 www.atkinsglobal.com

Copyright © Atkins Limited (2013)
TIDAL LAGOON SWINSEN BAY PROJECT
 MARINE WORKS
 TYPICAL SECTIONS

REVISIONS:
 NO. DATE BY
 1. 06/02/14
 2. 22/16
 3. 15/03/16
 4. 15/03/16